



Cereal storage silos for indoor and outdoor use



- ◆ with type guide
- ◆ galvanised
- ◆ stable construction
- ◆ high production quality
- ◆ surface profiling of the silo plates which gives greater stability and better suited for cultivation products, e.g. seeds
- ◆ matched aeration systems and aeration fans
- ◆ control of the stored product using NEUERO temperature measurement equipment
- ◆ cereal storage silos with funnel subframe in segment construction
- ◆ and many other advantages are provided by NEUERO Getreidetechnik

NEUERO provides you with everything for cereals:
 storage ◆ cleaning ◆ drying
 cooling ◆ aeration ◆ milling

Your NEUERO dealer:



NEUERO Farm- und Fördertechnik GmbH
 Hermann-Unbefunde-Str. 6 · 49324 Melle
 Tel. +49 5422 9440-0 · Fax +49 5422 9440-40
 info@neuro-farm.de · www.neuro-farm.de

The Cereal Fulliner



The Cereal Fulliner

Storage silos **Type NL 11-22**

Own storage increases your profit



NEUERO
FARM AND CONVEYOR TECHNOLOGY

Cereal storage silos Type NL 11-22

For outdoor use, galvanised, including sealing material; statics calculation

Type	Ø [m]	Height [m]	Capacity [t*]	Weight [kg]	Type	Ø [m]	Height [m]	Capacity [t*]	Weight [kg]
NL11/15	9.83	12.69	751	5,907	NL 18/12	16.09	10.17	1,613	10,305
NL11/16	9.83	13.53	801	6,334	NL 18/13	16.09	11.01	1,746	11,650
NL11/17	9.83	14.37	851	7,336	NL 18/14	16.09	11.85	1,879	12,070
NL11/18	9.83	15.21	900	7,945	NL 18/15	16.09	12.69	2,013	13,526
NL11/19	9.83	16.05	950	8,689	NL 18/16	16.09	13.53	2,146	14,921
NL11/20	9.83	16.89	1,000	9,627	NL 18/17	16.09	14.37	2,279	16,295
NL11/21	9.83	17.73	1,050	10,567	NL 18/18	16.09	15.21	2,412	18,312
NL11/22	9.83	18.57	1,099	11,487	NL 18/19	16.09	16.05	2,545	20,203
NL11/23	9.83	19.41	1,149	12,732	NL 18/20	16.09	16.89	2,679	21,844
NL11/24	9.83	20.25	1,199	13,732	NL 18/21	16.09	17.73	2,812	24,032
					NL 18/22	16.09	18.57	2,945	26,038
NL 12/15	10.73	12.69	895	6,790	NL 18/23	16.09	19.41	3,078	28,799
NL 12/16	10.73	13.53	954	7,548	NL 18/24	16.09	20.25	3,212	31,432
NL 12/17	10.73	14.37	1,007	8,489	NL 18/25	16.09	21.09	3,345	34,068
NL 12/18	10.73	15.21	1,073	9,159	NL 18/26	16.09	21.93	3,478	35,777
NL 12/19	10.73	16.05	1,132	9,938					
NL 12/20	10.73	16.89	1,191	11,239	NL 20/12	17.88	10.17	1,992	12,548
NL 12/21	10.73	17.73	1,251	12,233	NL 20/13	17.88	11.01	2,156	14,073
NL 12/22	10.73	18.57	1,310	13,497	NL 20/14	17.88	11.85	2,321	15,950
NL 12/23	10.73	19.41	1,369	14,722	NL 20/15	17.88	12.69	2,485	17,891
NL 12/24	10.73	20.25	1,428	15,986	NL 20/16	17.88	13.53	2,650	18,382
					NL 20/17	17.88	14.37	2,814	20,838
NL 14/15	12.51	12.69	1,217	8,389	NL 20/18	17.88	15.21	2,979	22,900
NL 14/16	12.51	13.53	1,297	9,337	NL 20/19	17.88	16.05	3,143	24,882
NL 14/17	12.51	14.37	1,378	10,403	NL 20/20	17.88	16.89	3,308	27,077
NL 14/18	12.51	15.21	1,458	11,203	NL 20/21	17.88	17.73	3,472	28,722
NL 14/19	12.51	16.05	1,539	13,108	NL 20/22	17.88	18.57	3,637	31,490
NL 14/20	12.51	16.89	1,619	14,204	NL 20/23	17.88	19.41	3,801	33,413
NL 14/21	12.51	17.73	1,700	15,316	NL 20/24	17.88	20.25	3,966	36,734
NL 14/22	12.51	18.57	1,780	17,004	NL 20/25	17.88	21.09	4,130	40,476
NL 14/23	12.51	19.41	1,860	18,616	NL 20/26	17.88	21.93	4,295	43,042
NL 14/24	12.51	20.25	1,940	20,401					
					NL 22/8	19.66	6.81	1612	8,461
NL 16/15	14.30	12.69	1,590	10,653	NL 22/9	19.66	7.65	1811	9,542
NL 16/16	14.30	13.53	1,695	11,922	NL 22/10	19.66	8.49	2010	11,201
NL 16/17	14.30	14.37	1,800	12,880	NL 22/11	19.66	9.33	2209	13,107
NL 16/18	14.30	15.21	1,905	14,102	NL 22/12	19.66	10.17	2408	14,947
NL 16/19	14.30	16.05	2,011	15,815	NL 22/13	19.66	11.01	2607	16,320
NL 16/20	14.30	16.89	2,116	17,497	NL 22/14	19.66	11.85	2806	18,684
NL 16/21	14.30	17.73	2,221	19,286	NL 22/15	19.66	12.69	3005	20,757
NL 16/22	14.30	18.57	2,326	21,506	NL 22/16	19.66	13.53	3204	23,085
NL 16/23	14.30	19.41	2,431	22,862	NL 22/17	19.66	14.37	3403	24,365
NL 16/24	14.30	20.25	2,536	25,054	NL 22/18	19.66	15.21	3601	26,832
					NL 22/19	19.66	16.05	3800	29,345
					NL 22/20	19.66	16.89	3999	32,419
					NL 22/21	19.66	17.73	4198	34,384
					NL 22/22	19.66	18.57	4397	37,819
					NL 22/23	19.66	19.41	4596	40,589
					NL 22/24	19.66	20.25	4795	44,299
					NL 22/25	19.66	21.09	4994	47,903

* The capacity information is based on a packed weight of 780 kg/m³ (only for cylindrical height)

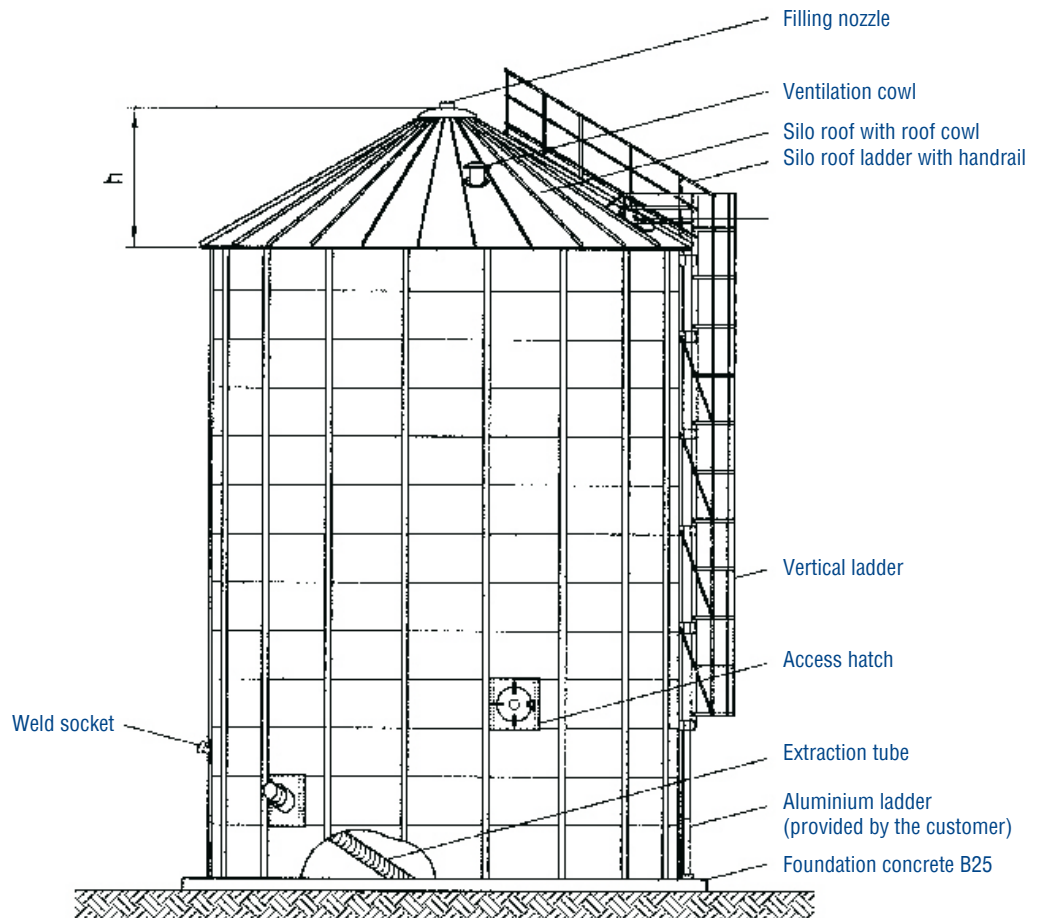
The right silo for every need

Accessories

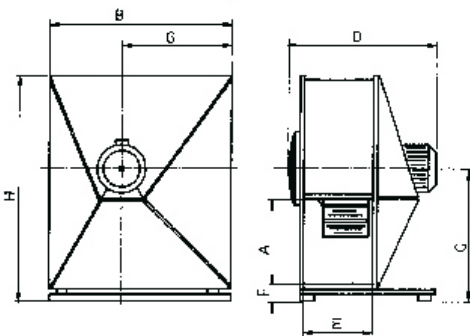
- ◆ catwalk and intermediate platform
- ◆ roof ladder with handrail
- ◆ vertical ladder with ladder cage
- ◆ silo roof with inspection hatch
- ◆ extraction tube, outdoor use (a subframe or underpinning is required for use of an extraction tube) up to NL 16
- ◆ filling nozzle size 200/300 for silo roof = DS connection
- ◆ access hatch round/square
- ◆ extraction tube collar
- ◆ weld socket with protective cap
- ◆ auxiliary outlet
- ◆ paint coating
- ◆ temperature measuring system
- ◆ roof reinforcement for attachment of conveyor technology

Silo roof height

NL 11 = 2.83 m	NL 18 = 3.60 m
NL 12 = 2.94 m	NL 20 = 4.05 m
NL 14 = 3.45 m	NL 22 = 4.36 m
NL 16 = 3,25 m	



Fans Type NV



Type	A	B	C	D	E	F	G	H
NV 55	820	1,170	880	830	400	105	670	1,450
NV 75	820	1,170	880	880	460	105	670	1,450
NV 110	920	1,340	940	980	500	105	780	1,550
NV 150	920	1,340	940	1,080	540	105	780	1,550
NV 185	1,070	1,435	1,085	1,120	570	145	890	1,805
NV 220	1,070	1,435	1,085	1,250	620	145	890	1,805

Standard configuration: single-sided aspiration, blow out position 270° (usage at 90° also possible), vacuum guard and ground console. All dimensions in mm. We reserve the right to make technical changes

Type	Motor [N=1450 rpm-1 kW (400V, 50Hz) directly coupled]	Air flow [m³/h/pressure PA]	Blow out [Ø]	Weight [kg]
NV 55	5.5	13,000/1,200	500/630 mm	202 kg
NV 75	7.5	17,500/1,200	500/630 mm	235 kg
NV 110	11.0	22,500/1,700	630 mm	278 kg
NV 150	15.0	28,500/1,400	630 mm	320 kg
NV 185*	18.5	35,000/1,400	630 mm	420 kg
NV 220*	22.0	48,000/1,000	630 mm	460 kg



* without subframe